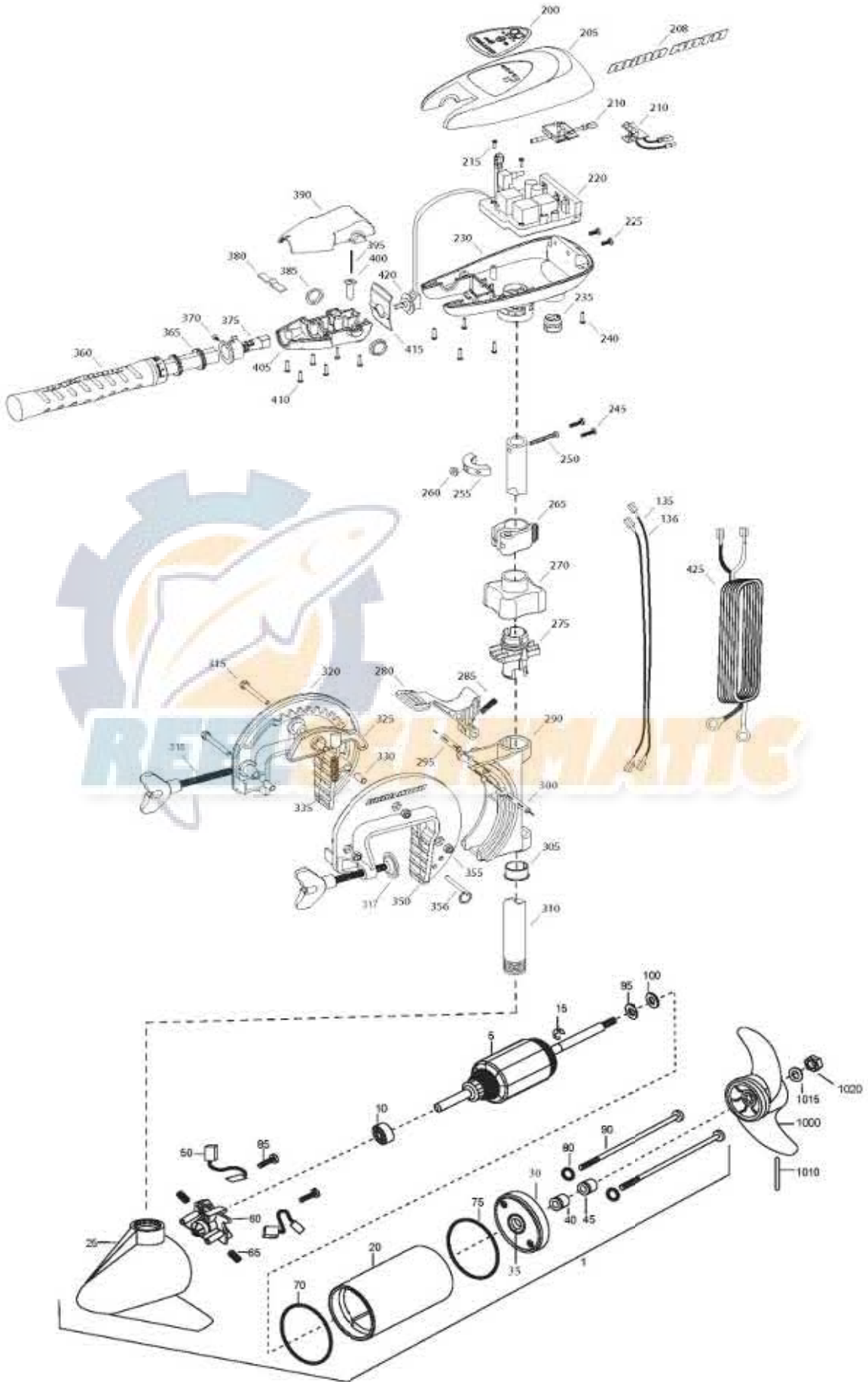


TRAXXIS 45
45 LBS THRUST
12 VOLT 42 AMPS
36" SHAFT

for use with "0" serial numbers
2-year warranty



| Item | P/N | Description | Qty | Item | P/N | Description | Qty |
|------|-----------|-----------------------------------|-----|------|---------|----------------------------------|-----------|
| 1 | 2069257 | 12V Motor 36" FW | 1 | 317 | 2011710 | Washer - clamp screw | 2 |
| 5 | 2-100-204 | Armature assembly | 1 | 320 | 2771950 | Bracket, right, FW | 1 |
| 10 | 140-010 | Bearing | 1 | 325 | 2067905 | Cam deactivator | 1 |
| 15 | 788-015 | Retaining ring | 1 | 330 | 2067306 | Bushing, dowel 1/4 x 1/2 | 3 |
| 20 | 2-200-079 | Center housing assembly | 1 | 335 | 2062702 | Spring, cam deactivator | 1 |
| 25 | 421-132 | Brush end housing assembly | 1 | ■ | 2881380 | Clamp screw kit | 2 per kit |
| 30 | 2-400-187 | Plain end housing assembly | 1 | 350 | 2771955 | Bracket, left, FW | 1 |
| 35 | 144-049 | Flange bearing | 1 | 355 | 2263104 | Nut, 1/4-20, nylock, Zinc | 3 |
| 40 | 880-003 | Seal | 1 | 356 | 2062604 | Pin, stop | 1 |
| 45 | 880-006 | Seal with shield | 1 | | | | |
| 50 | 188-052 | Brush | 2 | ■ | 2990957 | Handle assy, VARS [360-410] | 1 |
| 55 | N/A | | | 360 | 2990456 | Grip/handle assy, VARS [360-375] | 1 |
| 60 | 738-030 | Brush plate assembly | 1 | 365 | 2060015 | Bearing, handle | 2 |
| 65 | 975-032 | Brush spring | 2 | 370 | 2063405 | Screw, #6 PFH SS | 1 |
| 70 | 701-041 | O-ring, motor, front | 1 | 375 | 2884092 | Yoke / spider assy, VARS | 1 |
| 75 | 701-039 | O-ring, motor, rear | 1 | 380 | 2302742 | Spring, detent, off | 1 |
| 80 | 701-007 | O-ring, thru-bolt | 2 | 385 | 2060005 | Bearing, handle pivot | 2 |
| 85 | 830-001 | Screw, 8-32 | 2 | 390 | 2060900 | Handle pivot, top | 1 |
| 90 | 830-078 | Thru-bolt | 2 | 395 | 2302745 | Spring, release button | 1 |
| 95 | 990-067 | Washer, steel | 2 | 400 | 2063700 | Button, release | 1 |
| 100 | 990-070 | Washer, nylatron | 2 | 405 | 2060905 | Handle pivot, bottom | 1 |
| 135 | 640-001 | Leadwire, black | 1 | 410 | 2303412 | Screw, #6 x 5/8 SS | 6 |
| 136 | 640-101 | Leadwire, red | 1 | | | | |
| ■ | 2883460 | Seal and O-ring Kit | | 415 | 2062715 | Spring, handle pivot | 1 |
| | | | | 420 | 2061700 | Washer, pot holder | 1 |
| 200 | 2065679 | Decal, c-box cover | 1 | 425 | 2992523 | Leadwire assy, includes [235] | 1 |
| 205 | 2060295 | C-box cover | 1 | | | | |
| 208 | 2325665 | Decal - MinnKota | 2 | ■ | 1378121 | Propeller kit | |
| 210 | 2074070 | Battery meter, 12v FW | 1 | 1000 | 2061122 | Propeller | 1 |
| 215 | 3043427 | Screw, #8 x 7/8 SS | 2 | 1010 | 2092600 | Drive pin, small | 1 |
| 220 | 2184016 | Control board, 12V | 1 | 1015 | 2151726 | Washer, prop, small | 1 |
| ■ | 2888411 | Potentiometer Replacement Kit | | 1020 | 2053101 | Nut, nylock, prop, small | 1 |
| 225 | 2303434 | Screw, #8-30 x 5/8 SS | 2 | | | | |
| 230 | 2062501 | Control box, VARS, FW | 1 | | | | |
| 235 | 2062905 | Strain relief | 1 | | | | |
| 240 | 2303412 | Screw, #6 x 5/8 SS | 6 | | | | |
| 245 | 2263434 | Screw, #8 x 1 SS | 2 | | | | |
| 250 | 2383407 | Screw, #10-24 x 2 SS | 1 | | | | |
| 255 | 2061515 | Collar, c-box | 1 | | | | |
| 260 | 2383124 | Nut, 10-24, nylock, SS | 1 | | | | |
| 265 | 2991521 | Cam lock/depth collar assy | 1 | | | | |
| ■ | 2991795 | Bracket assy, Composite [270-356] | 1 | | | | |
| 270 | 2060100 | Knob, steering tension, soft | 1 | | | | |
| 275 | 2068400 | Collet | 1 | | | | |
| 280 | 2064200 | Lock arm | 1 | | | | |
| 285 | 2062701 | Spring, lock arm | 1 | | | | |
| 290 | 2061821 | Hinge | 1 | | | | |
| 295 | 2062602 | Pin, lock, Zinc | 1 | | | | |
| 300 | 2062602 | Pin, lock, Zinc | 1 | | | | |
| 305 | 2037301 | Bushing, hinge | 1 | | | | |
| 310 | 2032052 | Tube 36" | 1 | | | | |
| 315 | 2063500 | Bolt 1/4-20 x 2 3/8", Zinc | 3 | | | | |
| 316 | 2061300 | Screw - clamp | 2 | | | | |

* This item is part of an assembly. This item cannot be sold separately due to machining and /or assembly that is required.

12-24-36 VOLT VARIABLE SPEED MODELS

THIS IS A UNIVERSAL MULTI-VOLTAGE DIAGRAM. DOUBLE CHECK YOUR MOTORS VOLTAGE FOR PROPER CONNECTIONS

Traxxas 45 is 12-volt only!

